



## Description

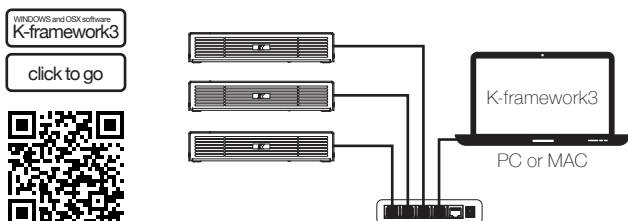
The Kommander-KA04 is a fully featured, 4x 50W @ 4Ω amplifier platform with DSP highly integrated into the K-array collection ecosystem.

The Kommander-KA04 offers pristine sound and complete control over the connected loudspeakers, either as a stand alone driving unit and in conjunction with other K-array amplifiers in complex and demanding applications.

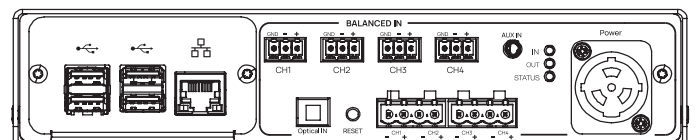
The dedicated K-array Connect mobile app provides a user friendly interface for remote control of the DSP main parameters and easy configuration of the signal routing.



K-framework3 is the managing and control software dedicated to professionals and operators looking for a powerful tool for loudspeakers system design and tuning of large a number of units over a wired LAN.



- 1U Class D audio amplifier 4x 150 W @ 4 Ω.
- DSP onboard with:
  - Channel Grouping: group controls over multiple channels;
  - Input EQ: 3 bands fully parametric equalizer;
  - Output EQ: 8 bands fully parametric selectable filters: Peaking, High-Shelf, Low-Shelf, High-Pass, Low-Pass, HP-Butterworth, LP-Butterworth;
  - Dynamic limiters;
  - Signal routing: freely assignable input-to-output signal path with level adjustment;
  - Channel delay up to 230 ms.
- Integrated Electronic Brain (IEB) with osKar custom operating system running on quad core 1.5 GHz internal processor.
- REST API for easy integration with third-party remote control systems.
- K-array Connect mobile app for easy wireless access to the DSP features.
- K-framework3 multiplatform software for loudspeaker



# Kommander-KA04

General	
Type	4ch switching mode, Class D Amplifier
Output Power <sup>1</sup>	4x 150 W @ 4 Ω
Impedance	minimum 4 Ω
Frequency Response	20 Hz – 20 kHz (±1 dB)
Connectors	Input: 4x BAL input: Euroblock 1.5/ 3-ST-3.81, 3.5 mm jack unBAL, TOSLINK optical input, Output: 2x Euroblock 2,5/ 4-G-5,08 Digital: 4x USB-A 2.0, 1x RJ45 Ethernet, Wi-Fi IEEE 802.11 b/g/n Power: 1x PowerCon TRUE IN
Built-in DSP	Grouping, Input EQ, Output EQ, Signal Routing, Level adjustment, Dynamic Limiters, Loudspeakers preset
Remote control	Wi-Fi dedicated K-array Connect mobile app Ethernet wired K-framework3 multiplatform design and tuning software
MAINS Operating Range	Dedicated AC/DC power adapter 100-240V ~ AC, 50-60 Hz input
Power Consumption	150 W @ 4 Ω load, Pink noise, 1/8 rated power
Protections	Over Temp. (Power Limiting – Thermal Shutdown), Short Circuit/Overload Output Protection, Power Limiting, Clip Limiter/Permanent Signal Limiter, High Frequency Protection
Handling & Finishes	
IP Rating	IP20
Dimensions (WxHxD)	219 x 46 x 320 mm (8.6 x 1.8 x 12.6 in)
Weight	1,2 kg (1.5 lb)
Material	Aluminum
Color	Black

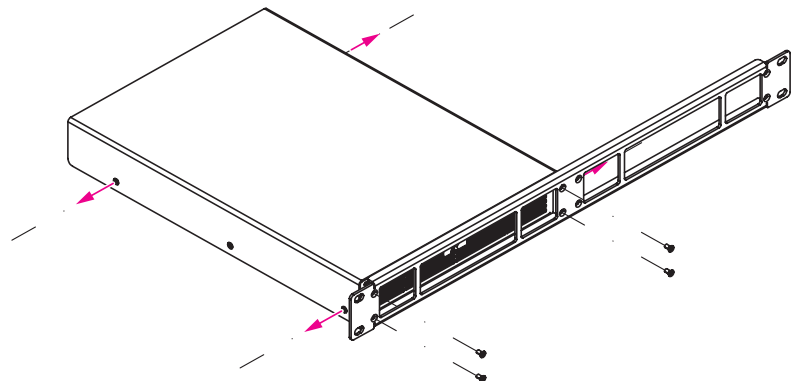
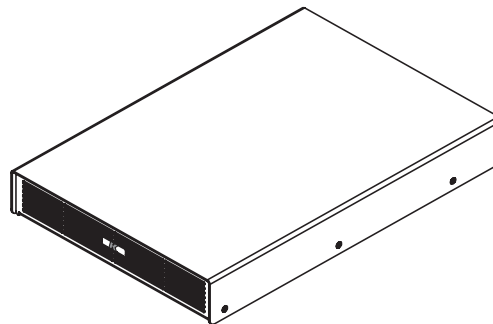
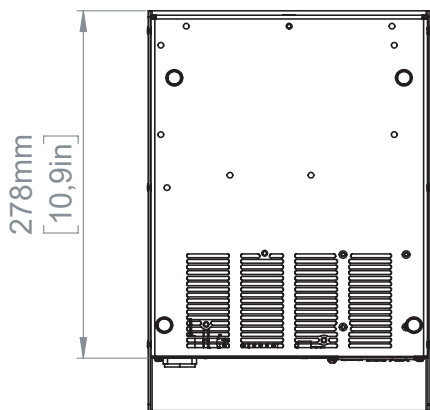
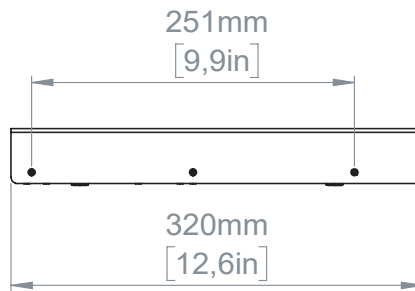
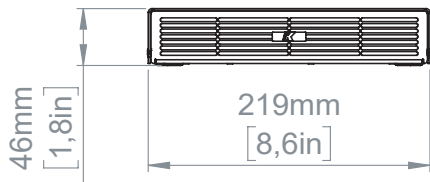
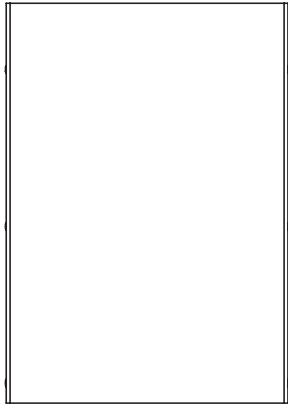
<sup>1</sup>EIAJ test standard, single channel driven.

#### Notes:

Passive loudspeakers require dedicated presets loaded onboard K-array amplifiers.  
New materials and designs are introduced into existing products without previous notice.  
Present systems may differ in some respects from those presented in this document.



# Kommander-KA04



Notes:  
Passive loudspeakers require dedicated presets loaded onboard K-array amplifiers.  
New materials and designs are introduced into existing products without previous notice.  
Present systems may differ in some respects from those presented in this catalog.

