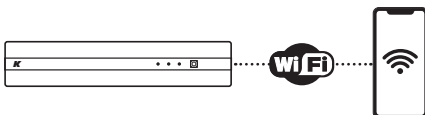


Description

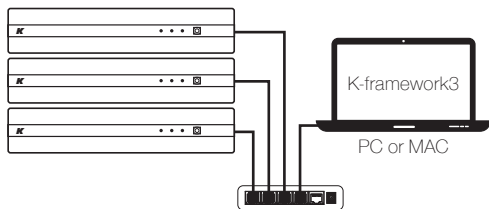
The Kommander-KA68 is a fully featured, 8x750W@4Ω amplifier platform with DSP highly integrated into the K-array collection ecosystem.

The Kommander-KA68 offers pristine sound and complete control over the connected loudspeakers, either as a stand alone driving unit and in conjunction with other K-array amplifiers in complex and demanding applications.

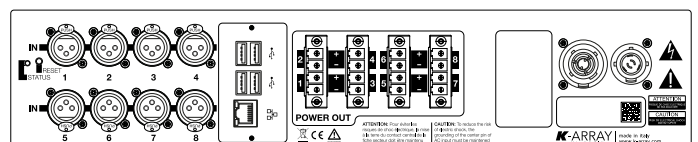
The dedicated K-array Connect mobile app provides a user friendly interface for remote control of the DSP main parameters and easy configuration of the signal routing.



K-framework3 is the managing and control software dedicated to professionals and operators looking for a powerful tool for designing and managing a large number of units over a wired LAN in demanding applications.



- Class D audio amplifier module 8x 750W @ 4Ω.
- DSP onboard with:
 - Channel Grouping: group controls over multiple channels;
 - Input EQ: 3 bands fully parametric equalizer;
 - Output EQ: 8 bands fully parametric selectable filters: Peaking, High-Shelf, Low-Shelf, High-Pass, Low-Pass, HP-Butterworth, LP-Butterworth;
 - Dynamic limiters;
 - Signal routing: freely assignable input-to-output signal path with level adjustment;
 - Channel delay up to 115 ms.
- Integrated Electronic Brain (IEB) with osKAR custom operating system running on quad core 1.5 GHz internal processor.
- REST API for easy integration with third-party remote control systems.
- K-array Connect mobile app for easy wireless access to the DSP features.
- K-framework3 multiplatform software for loudspeaker system design, managing, tuning and control of multiple units in demanding applications.

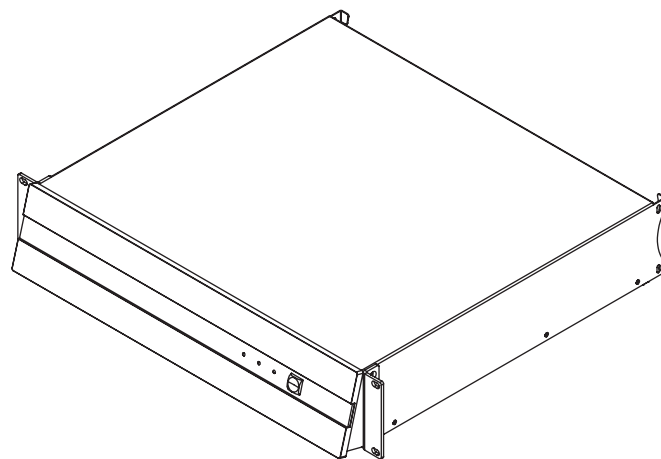
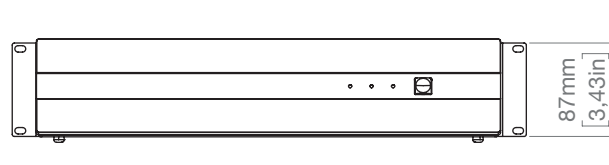
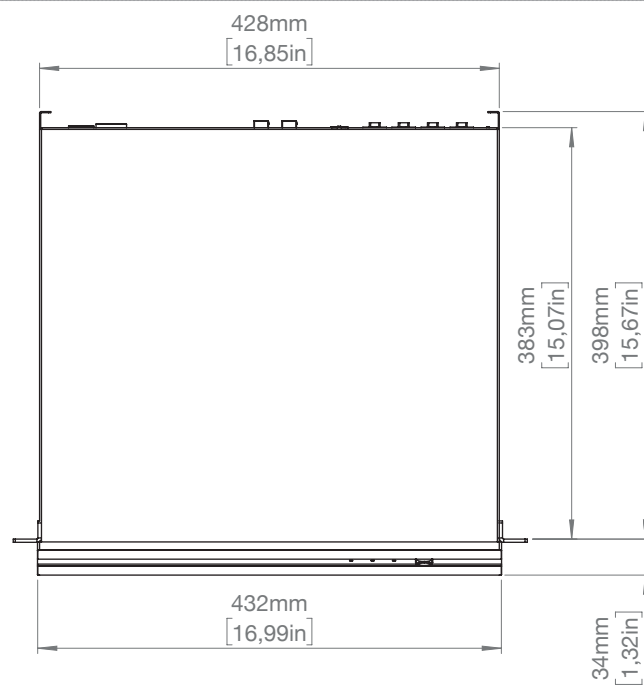


Technical Specifications

General	
Type	8ch switching mode, Class D Amplifier
Output Power ¹	8x 750 W @ 4 Ω
Impedance	minimum 4 Ω
Frequency Response ¹	20 Hz – 20 kHz (±1 dB)
Connectors	Input: 8x XLR-F balanced input Output: 4x PC 4/ 4-ST-7,62 speaker output Remote connectivity: 1x Ethernet RJ45 4x USB-A Wi-Fi IEEE 802.11 b/g/n
Built-in DSP	Grouping, Input EQ, Output EQ, Signal Routing, Level adjustment, Dynamic Limiters, Delay
Remote control	Wi-Fi dedicated K-array Connect mobile app Ethernet wired K-framework3 multiplatform design and tuning software
MAINS Operating Range	100-240V ~ AC, 50-60 Hz with PFC via powerCON TRUE connector with power link
Power Consumption	1200 W @ 4 Ω load, Pink noise, 1/8 rated power
Protections	Thermal protection, output short circuit, RMS output current protection, high frequency protection, power limiter, clip limiter.

Handling & Finishes	
IP Rating	IP20
Dimensions (WxHxD)	430 x 87 x 430 mm (17 x 3,4 x 17 in)
Weight	8,3 kg (18,3 lb)
Material	Aluminum

¹ EIAJ 8/32 test standard



Notes:

Passive loudspeakers require dedicated presets loaded onboard K-array amplifiers.
 New materials and designs are introduced into existing products without previous notice.
 Present systems may differ in some respects from those presented in this document.





Description

The Kommander-KA68+ is a fully featured, 8 x 750W @ 4Ω amplifier platform with DSP highly integrated into the K-array collection ecosystem.

The Kommander-KA68+ offers pristine sound and complete control over the connected loudspeakers, either as a stand alone driving unit and in conjunction with other K-array amplifiers in complex and demanding applications.

To ensure superior performance and compatibility with existing audio-over-IP protocols, the 8-channel Kommander-KA+ line features the advanced IEB-Pro (Integrated Electronic Brain-Pro) platform with Ethernet switch - 2x Ethercon ports, supporting Ethernet connections for up to 8x IN digital channels. It is specifically compatible with DanteReady™ and DANTE protocol. Discover the new features of the Kommander-KA+ line for a powerful setup and effective control of K-array line array systems.

K-ARRAY provides a comprehensive range of **software solutions and applications** for controlling and managing **KA amplifiers**, designed to meet diverse needs, from **installation and configuration to troubleshooting, monitoring, and designing** complex systems. All our solutions support remote operation; optimized for Wi-Fi connections or tailored for local network use. Whether you need flexibility for remote access or robust local network performance, our software catalog offers the ideal tools to suit your specific requirements.

- 2U Class D audio amplifier 8x 150 W @ 4Ω.
- DSP onboard with:
 - Channel Grouping: group controls over multiple channels;
 - Input EQ: 3 bands fully parametric equalizer;
 - Output EQ: 8 bands fully parametric selectable filters: Peaking, High-Shelf, Low-Shelf, High-Pass, Low-Pass, HP-Butterworth, LP-Butterworth;
- Dynamic limiters;
- Signal routing: freely assignable input-to-output signal path with level adjustment;
- Channel delay up to 115 ms.
- Integrated Electronic Brain-Pro (IEB-Pro) with osKar custom operating system running on quad core 1.6 GHz internal processor 2-port network switch featuring Ethernet connections (1 Gigabit / 1000 Mbps)
- REST API for easy integration with third-party remote control systems.
- The Web App built-in interface to access to Kommander-KA DSP functions.
- K-ARRAY suite of dedicated control softwares and mobile app (K-connect - K-control - K-monitor) for easy remote access to the DSP features.
- K-framework3 multiplatform software for loudspeaker system design, managing, tuning and control of multiple units in demanding applications.
- K-cloud cloud-based platform and service that extends the capabilities of K-array's ecosystem.



WINDOWS and OSX software
K-ARRAY Software suite

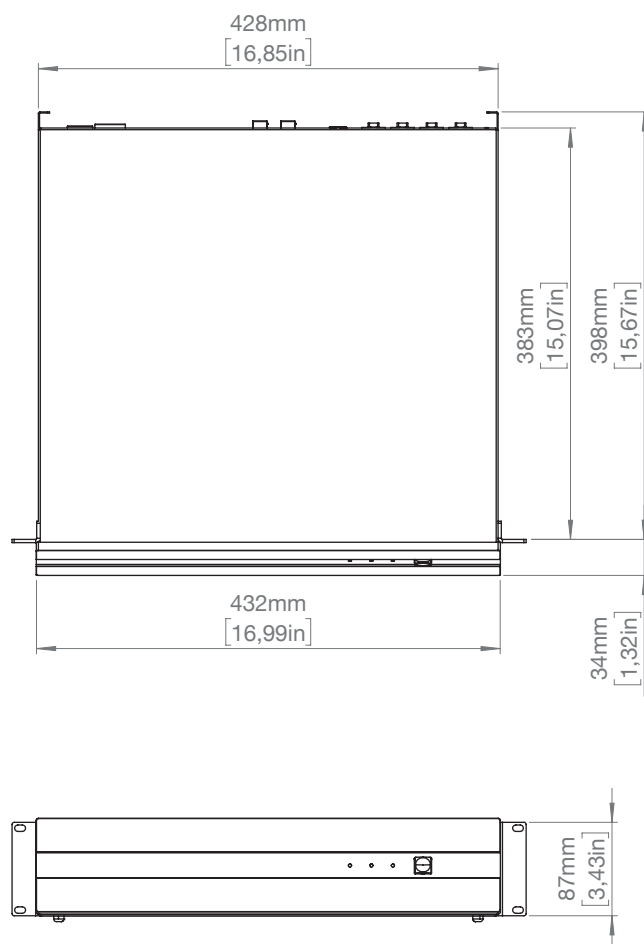
click to go



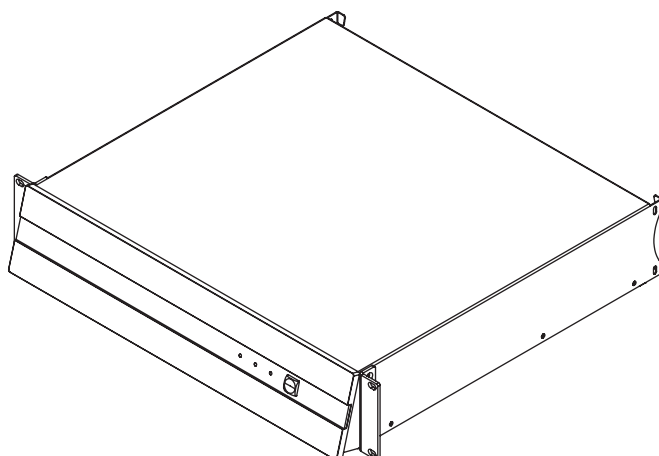
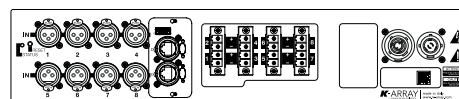
Technical Specifications

General	
Type	8ch switching mode, Class D Amplifier
Output Power ¹	8 x 750W @ 4Ω
Impedance	minimum 4 Ω
Frequency Response ¹	20 Hz – 20 kHz (±1 dB)
Connections	Input: 8x XLR-F balanced input Output: 4x PC 4/ 4-ST-7,62 speaker output Remote connectivity: 2x Ethernet RJ45 - 1.Gbit Digital channel count 8 IN - (Dante Ready™ compatible) 1x USB-A
Built-in DSP	Grouping, Input EQ, Output EQ, Signal Routing, Level adjustment, Dynamic Limiters, Delay
Remote control	Wi-Fi dedicated K-array Connect mobile app Ethernet wired K-framework3 multiplatform design and tuning software
MAINS Operating Range	100-240V ~ AC, 50-60 Hz with PFC via powerCON TRUE connector with power link
Power Consumption	300 W @ 4 Ω load, Pink noise, 1/8 rated power
Protections	Thermal protection, output short circuit, RMS output current protection, high frequency protection, power limiter, clip limiter.

Handling & Finishes	
IP Rating	IP20
Dimensions (WxHxD)	430 x 87 x 430 mm (17 x 3,4 x 17 in)
Weight	7 kg (15,4 lb)
Material	Stainless Steel



¹ CTA-2006 (CEA-2006) Amplifier Power Standard, single channel driven.



Notes:
 Passive loudspeakers require dedicated presets loaded onboard K-array amplifiers.
 New materials and designs are introduced into existing products without previous notice.
 Present systems may differ in some respects from those presented in this document.

