

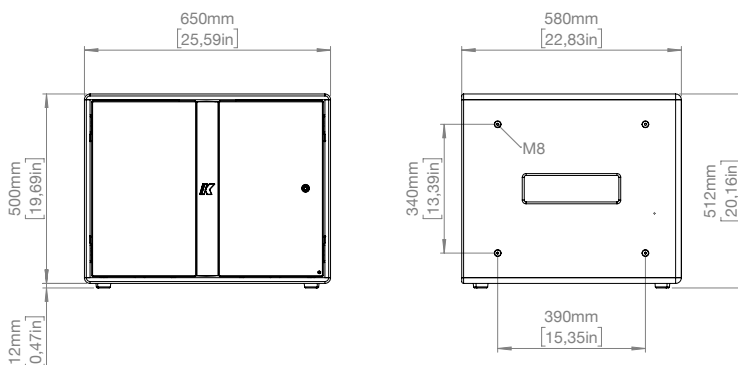
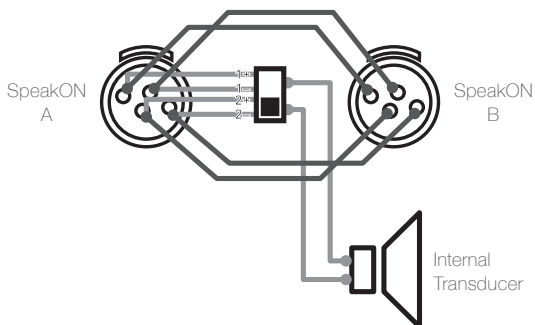


Description

The Thunder-KS2 I is a compact passive subwoofer featuring a long excursion 18" neodymium magnet woofer with 3" voice coil.

The Thunder-KS2P I features 2x SpeakON NL4 connectors that allow to input the signals from external active systems or amplifiers, with either a 2-wire or a 4-wire cable, as well as route the signal to other loudspeakers.

Input terminals selection and link wiring.



Technical Specifications

Type	Passive subwoofer
Transducers	18" neodymium magnet woofer
Frequency Response ¹	35 Hz – 150/450 Hz (-6 dB) crossover dependant
Crossover	External DSP-controlled, Low Pass @ 150 Hz up to 450 Hz, preset dependant
Max SPL ²	137 dB peak
Nominal Impedance	8Ω
Power handling	1400 W peak
Coverage	Omni
Connectors	Speaker input/parallel output 2x SpeakON NL4 Input terminals selectable: IN+Link 1+/1- (parallel), Link 2+/2- Link 1+/1- , IN+Link 2+/2- (DEFAULT)

Handling & Finishes

IP Rating	IP54
Dimensions (WxHxD)	650 x 500 x 580 mm (25.6 x 19.7 x 22.8 in)
Weight	34 kg (75 lb)

¹ Extensible with dedicated preset according to the midrange crossover point.

² Maximum SPL is calculated using a signal with crest factor 4 (12dB) measured at 1 m.

Notes:

Passive loudspeakers require dedicated presets loaded onboard K-array amplifiers. New materials and designs are introduced into existing products without previous notice. Present systems may differ in some respects from those presented in this document.