



## Description

Designed to be consistently unique like all the unique K-array products, the Dragon-KX12 is a radical reinterpretation of a traditional coaxial 12" speaker. Its compact shape and different accessories allow the KX12 to perform as a powerful audio point source or as part of a line array. When high pressure is needed in the foreground with a rapid depreciation once distanced from the source, the KX12 can meet this demand to become one of the most useful tools for an installer. Similar to the Firenze KH7, an asymmetric 100° by 30° horn with an adjustable orientation gives to the speaker an added

value providing two modes of coverage to choose from to meet the needs of different installations. Additionally, dedicated accessories assist in the set up of joining, flying and stacking the speaker, making it a perfect line array component. Its steel chassis offers maximum rigidity in a minimum size. The speaker delivers a peak SPL of 133 dB and has a frequency range of 120 Hz to 19 kHz. It is compatible with all K-array Thunder subwoofers.

All KX12's components are designed by the K-array R&D department and custom-made under the K-array quality control system.

Colors	Features		Frequent Applications		
Black		Selectable Coverage	High Pressure in the Near Field	Nightclubs	Broadcast & Studios
RAL		Variable Angle Array	Lightweight	Event Productions	Stadium & Sport Venues

Accessories					
K-WALL2	K-FLY2B	K-FLY22	K-JOINT2B	K-KCLAMP	K-KCLAMP/S

## Technical Specifications

General	
Type	Point source
Transducers	Coaxial 12" woofer + 2.4" compression driver
Frequency Response <sup>1</sup>	120 Hz – 19 kHz (-6 dB)
Max SPL <sup>2</sup>	133 dB (peak)
Rated Power	1200 W
Coverage	User selectable V./H. 30°/100°   100°/30°
Connectors	2 x SpeakOn NL4 1+ 1- (signal); 2+ 2- (through)
Nominal Impedance	8 Ω

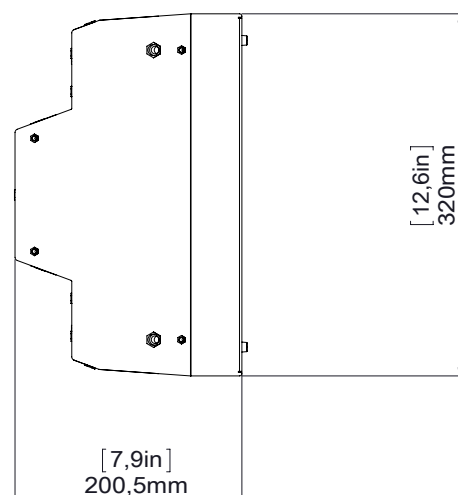
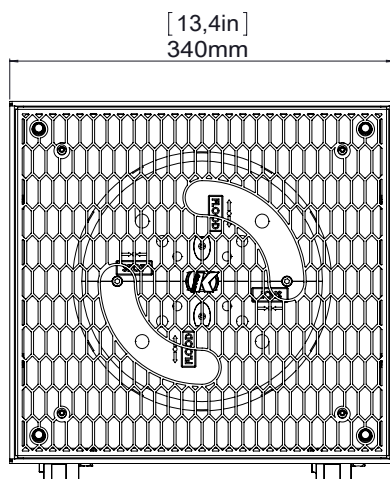
Handling & Finishes	
Dimensions (WxHxD)	340 x 320 x 201 mm (13.4 x 12.6 x 7.9 in)
Weight	12.2 kg (26.9 lb)
Material	Stainless Steel
Colors	Black, Custom RAL

Regulations	
IP Rating	IP21

Accessories	
Recommended Amplifier	Kommander-KA84, Thunder-KMT18, Thunder-KMT21, Thunder-KMT218
Accessories	K-WALL2, K-FLY2B, K-FLY22, K-JOINT2B, K-KCLAMP, K-KCLAMP/S

<sup>1</sup> With dedicated preset

<sup>2</sup> Maximum SPL is calculated using a signal with crest factor 4 (12dB) measured at 1 m



Notes for data:

Passive loudspeakers require dedicated presets loaded onboard K-array amplifiers.  
 New materials and designs are introduced into existing products without previous notice.  
 Present systems may differ in some respects from those presented in this catalog.